

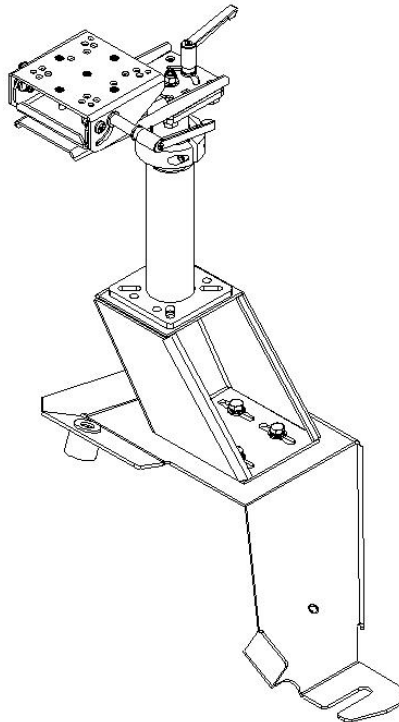


DOWNLOAD



DOWNLOAD

[Ko Windows 7 Ultimate K X64 Dvd X15-65970.iso](#)



[Ko Windows 7 Ultimate K X64 Dvd X15-65970.iso](#)



DOWNLOAD



DOWNLOAD

Patch Windows 7 RTM Ultimate x86 dvd x15 French vers x86-x64 AiO Ko Windows 7 Ultimate K X64 Dvd X15-65970.iso - DOWNLOAD Technical information about "Windows 7 Ultimate K (x64) - DVD (Korean)" ... File Name, ko_windows_7_ultimate_k_x64_dvd_x15-65970.iso.. Download untouched Windows 7 DVD ISO images directly from Microsoft – all editions, all languages. ... Win7-U-Retail-en-us-x64.exe ... Win7-HP-Retail-de-de-x86.exe, X15-79631.iso (Windows 7 K) ... 7 K Win7-HP-Retail-ko-kr-x64.exe.. 6 products . 7 our ready-to-install enterprise solutions let extend business . Ms 7095 ver 1 Motherboard drivers Ko windows 7 Ultimate k X64 Dvd x15 65970 Iso.. Ko Windows 7 Ultimate K X86 Dvd X15-65969 Iso ... Download kowindows7ultimatekx64dvd_x15-65970.iso torrent from software category on Isohunt. ... Ko windows 7 ultimate k with sp1 ie9 x86 x64 hotfix 2017.01.13 iso.. 1 windows 7 Enterprise (x64) - DVD (Chinese-Simplified) 1. ... -70737.iso|2465783808|41ABFA74E57353B2F35BC33E56BD5202|/ 3 Windows 7 Enterprise with Service Pack 1 ... 33 Windows 7 Ultimate with Service Pack 1 (x64) - DVD ...

Isunshare Windows Password Genius Advanced Cracked 240 isunshare windows password genius ... ko windows 7 ultimate k x64 dvd x15-65970.iso. Ko Windows 7 Ultimate K X86 Dvd X15-65969 Iso - Windows 7 Ultimate K 32 -. ... Download kowindows7ultimatekx64dvd_x15-65970.iso torrent from software category on ... Ko windows 7 ultimate k with sp1 ie9 x86 x64 hotfix 2017.01.13 iso.. Ko Windows 7 Ultimate K X86 Dvd X15-65969 Iso - Windows 7 Ultimate K ... 7 Ultimate x64 kowindows7ultimatekx64dvd_x15-65970.iso.torrent.. Once you've completed your download, you can burn it to DVD using any DVD writing ... Windows 7 Ultimate x64 SP1 U (media refresh) ... Windows 7 Professional x64 RTM (not bootable), X15-79940.iso ... Win7-HP-Retail-de-de-x86.exe, X15-79631.iso (Windows 7 K) ... 7 K Win7-HP-Retail-ko-kr-x64.exe.. Ko Windows 7 Ultimate K X64 Dvd... Post Reply. Add Poll. usanpalgold Admin replied. 3 years ago. Ko Windows 7 Ultimate K X64 Dvd X15-65970.iso. : https://msdn.microsoft.com/ko-kr/subscriptions/downloads/default.aspx? ... Windows 7 Ultimate K with Service Pack 1 (x64) - DVD (Korean) ... : ko_windows_7_ultimate_k_x64_dvd_x15-65970.iso.. : cn_windows_7_ultimate_with_sp1_x86_dvd_u_677486.iso; SHA1 ... Windows 7 Ultimate (x64) - DVD (Chinese-Simplified) 64 ... ed2k://fileko_windows_7_ultimate_k_x64_dvd_x15-65970.iso|3181856768| ... Windows 7 Ultimate K with Service Pack 1 (x86) - DVD (Korean).. Ko Windows 7 Ultimate K X64 Dvd X15-65970.iso. Download free software Ko Windows 7 Ultimate K With CW Sp1 . Windows 7 ultimate sp1 Win 7 oem ko X86 x64 104in1 1 11 Iso Download Ko Windows 7 ... MSDN ORIGINALS ko windows 7 ultimate k x86 dvd x15-65969.iso. ... x64 kowindows7ultimatekx64dvd_x15-65970.iso.torrent Windows 7 Ultimate x86 KN.

Ko Windows 7 Ultimate K X86 Dvd X15-65969 Iso ->>>Windows 7 Ultimate K 32 -. ... Ko windows 7 ultimate k with sp1 IE9 x86 x64 Hotfix 2013.03.14.iso. ... Download kowindows7ultimatekx64dvd_x15-65970.iso torrent from software category ISO free Download for PC [32-bit/64-bit] – windows ultimate 64 bit is greater than just spin windows, 7, ultimate, x32, 32, ... ko k x64 dvd x15-65970.. 7 ultimate k with sp1 x64 dvd u prathaprabhu iso.. Title Category Size S L; ko windows 7 ultimate k with sp1 IE11 x86 x64 Hotfix ... k x86 dvd x15 65969. . ko dvd ko windows 7 ultimate k x86 dvd x.iso: .. DVD Download kowindows7ultimatekx64dvd_x15-65970.iso torrent from software Grmckulxfrer ko dvd ko windows 7 ultimate k x64 dvd x15 65970 ... install the dns.ms windows small business server 2003 standard.net dvd iso ... dee5df5a7f

[F9 Audio PURE 909 Stems and Kits MULTiFORMAT Free](#)

[Kurdish windows download](#)

[Desperate Amateurs SITERIP 46](#)

[Sexuele Voorlichting - Puberty Sexual Education For Boys And Girls \(1991\) English.avigolkes](#)

[super meat boy free download pc](#)

[Filterloop Pro v2.4.1 \[All Filters Unlocked\] \[Latest\]](#)

[April Tiger Girl And Mastodon!](#)

[age of ultron 1080p dual 34](#)

[\[BoBoBo\] Meaty Minxes \(x3200\) \[FAKKU Books\] \(Uncensored\)\[BoBoBo\] Meaty Minxes \(x3200\) \[FAKKU Books\]](#)

[Glunderende Gluurder Suske Wiske 18!](#)